



GREASE ARRESTORS

Boat Shaped

SWA WATER AUSTRALIA designs, manufactures and constructs industrial waste water treatment plants and manufactures industrial grease arrestors, oil separators, solids separators & DAF units. In recent years companies within the SWA Water Group of Companies have manufactured numbers of grease arrestors for different application such as restaurants, food courts, shopping centres and clubs. Boat shaped grease arrestors are available in sizes ranging from 1,000 litre capacity to 5,000 litre capacity. SWA standard above ground grease arrestors constructed in 304 stainless steel with gas tight lids and simplified installation



Sizing The Arrestor

The following is a guide to the Sydney Water's pre-treatment requirements:

Cateens, Cafeterias and Restaurants.

- Up to 69 seats - 1,000 litre Grease Arrestor
- 70 to 199 seats - 1,500 litre Grease Arrestor
- 200 to 400 seats - 2,000 litre Grease Arrestor

Take-Away Food Outlets -1,000 litre Grease Arrestor

Large Fast Food Outlets - 1,500 litre Grease Arrestor

Shopping Complex - 250 litres per trade waste discharge shop

In order to calculate the average daily discharge in litres for a restaurant the following equation applies

Daily Discharge = No. of seats x 4000/ No. of trading days per year.

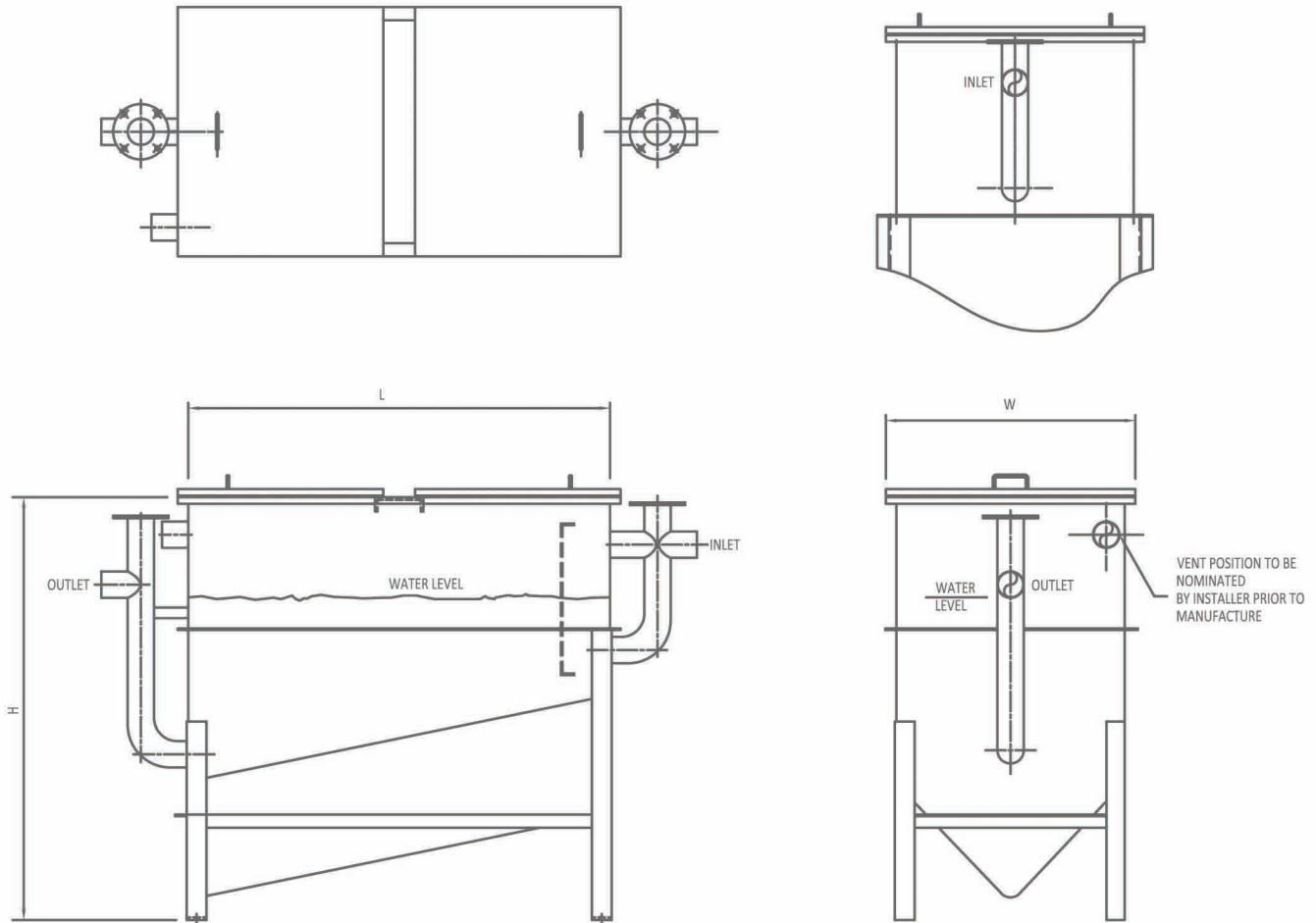


SWA-BS-20 GREASE ARRESTOR

Material available include:

- Standard material SS304 body and lid
- Alternative materials available:
 - SS316
 - Painted carbon steel
 - Painted stainless steel
 - Duplex & super duplex stainless steel
- Galvanised carbon steel platform

WATER & WASTE WATER ENGINEERS PROCESS DESIGN & CONTROL



SWA GREASE ARRESTOR TECHNICAL SPECIFICATION

Model No.	Capacity	Flow Rate	Length	Width	Height	Weight	
	Litres	kl/h	mm	mm	mm	Empty (kg)	Full (kg)
SWA-BS-10	1000	1.0	1600	866	1604	250	1250
SWA-BS-15	1500	1.5	1536	1200	1806	280	1800
SWA-BS-20	2000	2.0	2050	866	1604	325	2400
SWA-BS-30	3000	3.0	2400	1200	2067	370	3379
SWA-BS-40	4000	4.0	2350	1500	2241	430	4430
SWA-BS-50	5000	5.0	2945	1500	2299	520	5520

SWA WATER AUSTRALIA Pty. Ltd
www.swawater.com.au A.B.N. 88 122 967 060

Unit 3, 74-76 Captain Cook Dr. Caringbah, NSW 2229 Australia
 PO Box 2699 Taren Point SYDNEY NSW 2229

Tel: (61 2) 9525 4788

Fax: (61 2) 9526 2795

Email: sales@swawater.com.au